

### Load Capacities per pair

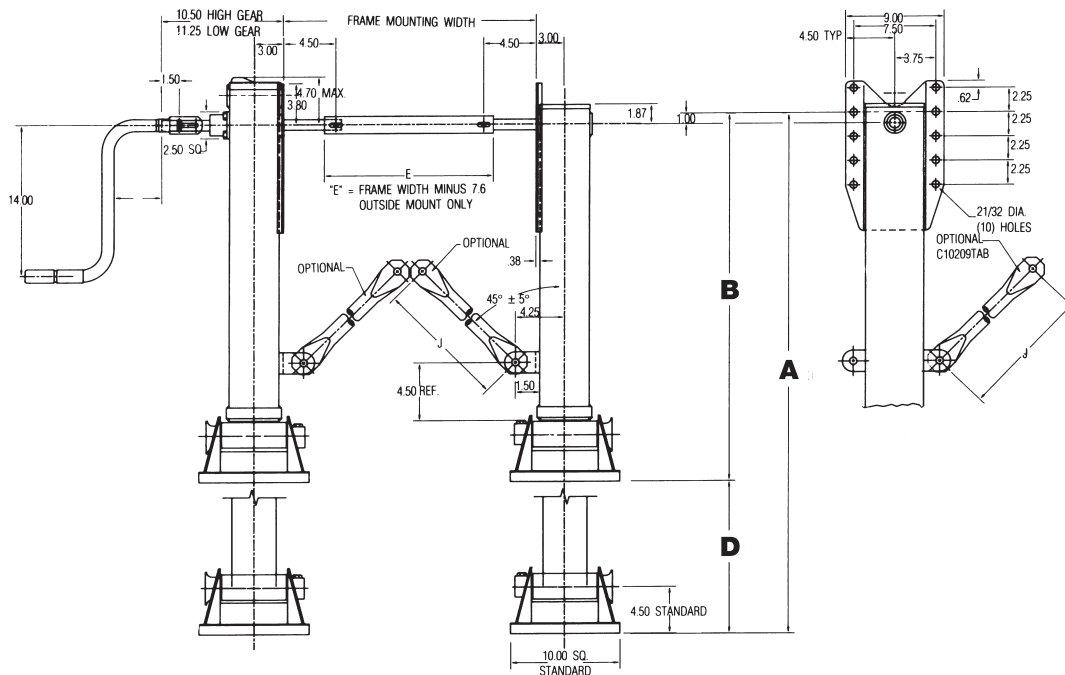
Lifting Capacity . . . . . 25 tons  
at 100 ft. lbs. input torque

Static Load Capacity . . . . . 80 tons

Side Load Capacity . . . . . 14.5 tons

### Landing Gear Dimensions

#### Outside Mount



### Travel Option Dimensions

Model	D - Travel	A - Extended	B - Retracted
A400/A/G/T/R	14" (355.6mm)	42 <sup>5</sup> / <sub>8</sub> " (1082.675mm)	28 <sup>5</sup> / <sub>8</sub> " (727.075mm)
A400/A/G/T/R	17" (431.8mm)	48 <sup>5</sup> / <sub>8</sub> " (1235.075mm)	31 <sup>5</sup> / <sub>8</sub> " (803.275mm)
A400/A/G/T/R	19" (482.6mm)	52 <sup>5</sup> / <sub>8</sub> " (1366.675mm)	33 <sup>5</sup> / <sub>8</sub> " (854.075mm)
A400G3-17	17" (431.8mm)	45 <sup>5</sup> / <sub>8</sub> " (1158.875mm)	28 <sup>5</sup> / <sub>8</sub> " (727.075mm)

## INDIVIDUAL COMPONENTS

Item	Description	Qty.	Part No.	Item	Description	Qty.	Part No.
6	Standard Crank w/Hardware 17 3/4"	1	C10592.4 & C10592.4-R	35	Roll Pin - 3/8" x 1 3/4'	1	A10054.7
7	Crank Hanger	1	B10261	36	Output Cluster Shaft	1	B10236
10	Brace Lug - W	2	C10108	37	Output Cluster Gear	1	C10234
11	Intermediate Cross Shaft	1	B10066	38	Input Gear Shaft	1	C10233
12	Cover Screw	4	A10059.1	39	Output Spur Gear	1	C10078
13	Cover - 2 Speed	1	C10217	40	Input Spur Gear	1	C10085
14	Cover - 1 Speed	1	C10259	41	Detent Spring	1	A10049
15	Pinion Gear	1	C10177	42	Detent Ball	2	A10048
16	Bevel Gear	2	C10155	43	Shift Housing incl.31,32 Shift Housing incl.41,42	1 1	B10229* B10229-S
17	Pinion Shaft - 1 Speed	1	B10130	44	Shift Housing Bolt	4	A10230
18	Thrust Washer	2	A10102	45	Self Locking Nut	4	A10038.6
19	Grooved Pin	2	A10052.3	46a	Shoe - 10" x 10" x 4 1/2" Standard	2	C10035
20	Spacer Washer	2	A10218	46b	Low Profile T Foot	2	C10135
21	Grease Fitting	4	A10040	47	Shoe Axle	2	B10036
22	Grease Seal	1	A10283	48	Hex Head Bolt	2	A10037.3
24	Self Locking Nut	4	A10038.7	49	Roll Pin - 1/4" x 1/4"	1	A10054.6
25	Cross Shaft Bolt - 3/8" x 2" Gr5	2	A10037.1	50	9" Dia Standard Wheel	4	C10342
26	Thrust Bearing	2	A10033	51	Wheel Axle	2	B10300
27	Collar	2	A10101	52	Air Suspension foot (pressed type) c/w axle	2	JS1116-0340C
28	Output Shaft	1	A10212	53	Axle for pressed air foot	2	B10036.1
30	Bushing	2	A10255	54	Compensating foot c/w axle	2	JS1116-358CN
33	Roll Pin - 3/8" x 1 1/2"	1	A10054.3	55	Axle for compl. foot	2	B10036.1
34	Spiral Pin	2	A10260.1				

\*Not Available as single item, included in part number 43

## COMPONENT ASSEMBLIES

Item	Description	14" Travel	Part No.	17" Travel	19" Travel
3	Inner Leg Assy. - Standard	C10140.1	C10140.2	C10140.3	
4	Inner Leg Assy. - 10" Cushion	C10146.1	C10146.2	C10146.3	

## FOOTWEAR OPTIONS

Description	Order Code	Description	Order Code
10" x 10" Cushion Foot	G	Compensating foot	S
9" Dia. Standard Wheels	R	10" x 10" x 4 1/2" Sand Shoes	T
Air Suspension	A	Low Profile T	T1

