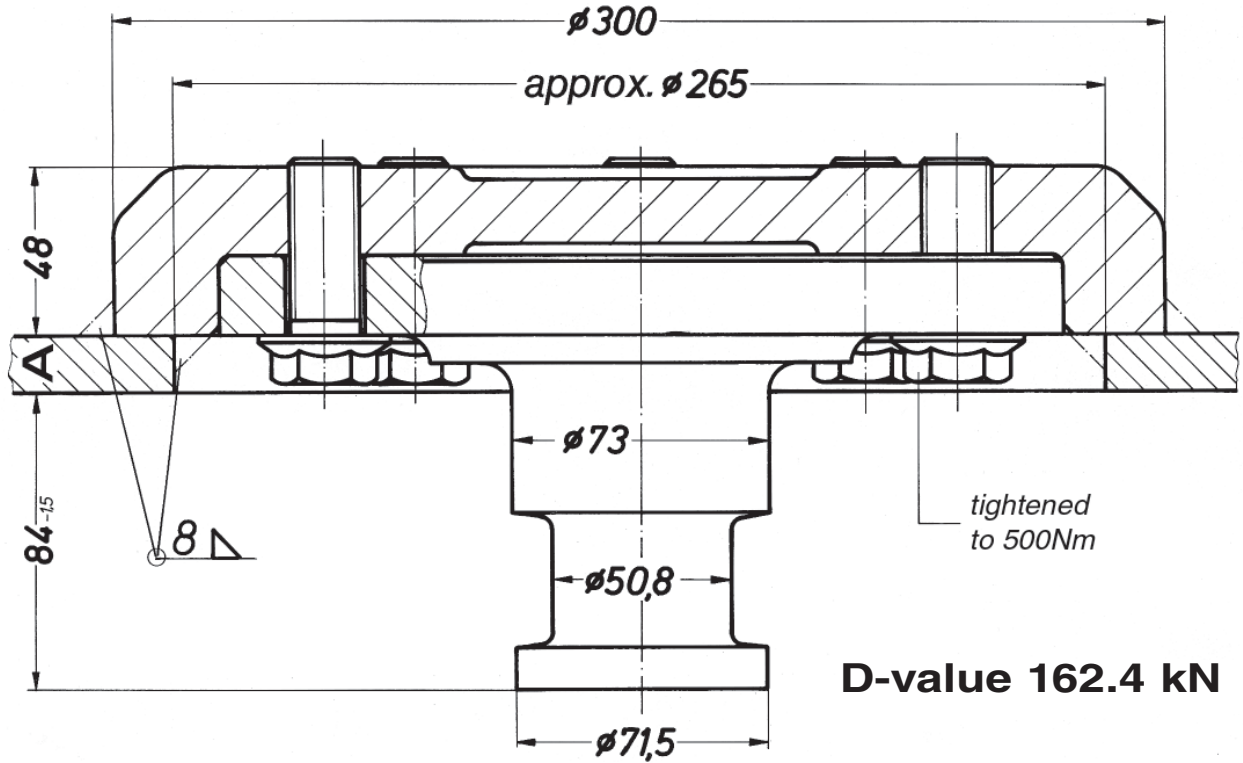
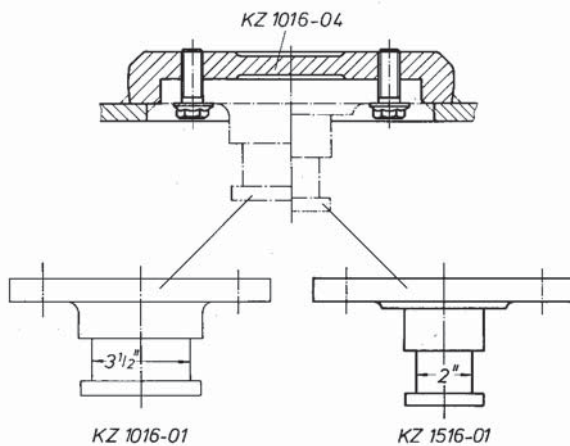


Type KZ 1516



Skid plate thickness A	Type	Components		
		Retention plate	King pin	CRN
16mm	KZ 1516	KZ 1016-02	KZ 1516-01	24344



Dimensions according to DIN 74080 and ISO 337

JOST king pins can be used in self steering axle systems.

Mounting must be carried out according to our instructions.

3 1/2" and 2" king pins are easily interchangeable.

The right to alter specifications is reserved.

8/08

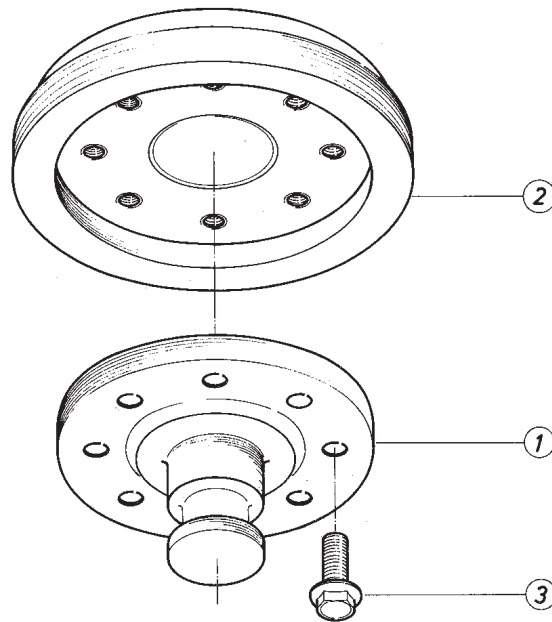


Fig.	Description	Part No.
1	King pin	KZ 1516-01
2	Retention plate	KZ 1016-02
3	Self-securing bolt	KZE 1016-06
2/3	Retention plate compl. with bolts	KZ 1016-04