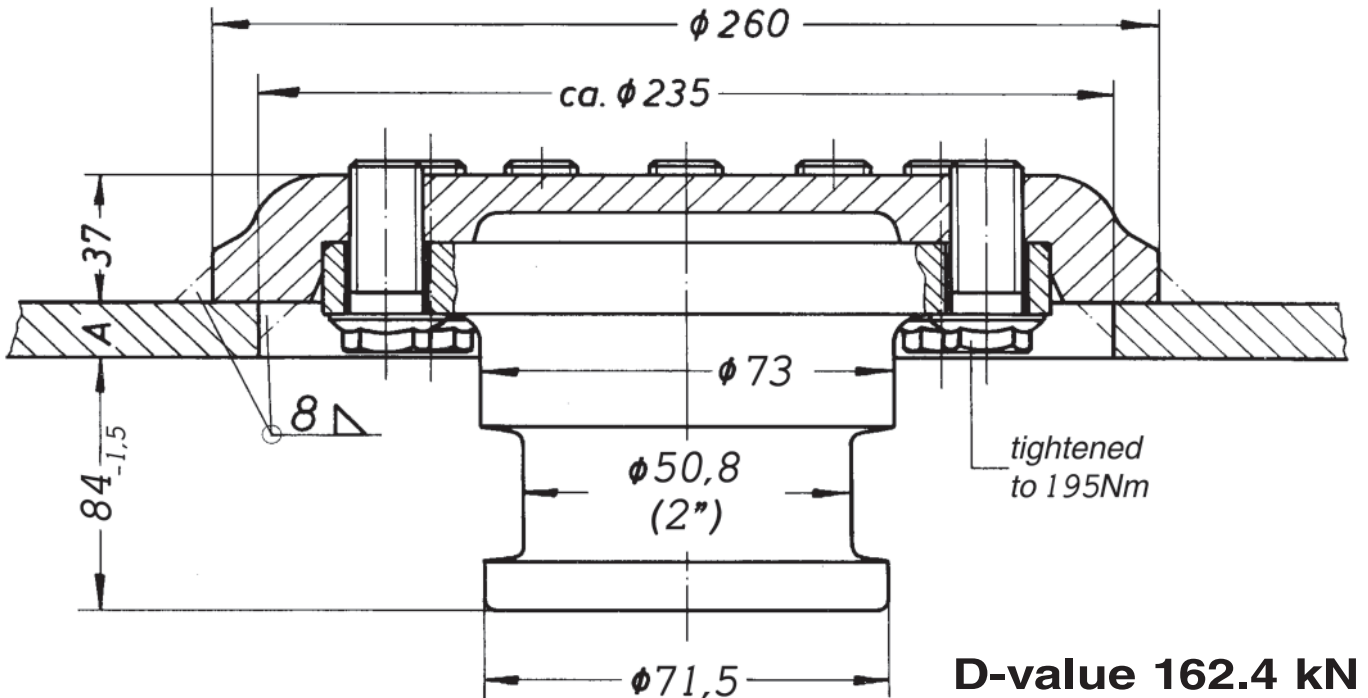
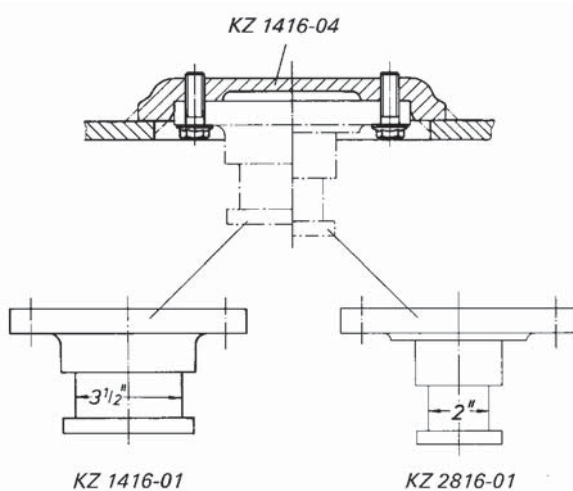


### Type KZ 2816



Skid plate thickness A	Type	Components	
		Retention plate	King pin
16mm	KZ 2816	KZ 1416-02	KZ 2816-01



Dimensions according to DIN 74080 and ISO 337  
 JOST king pins can be used in self steering axle systems.  
 Mounting must be carried out according to our instructions.

3 1/2" and 2" king pins are easily interchangeable.

The right to alter specifications is reserved.

8/08

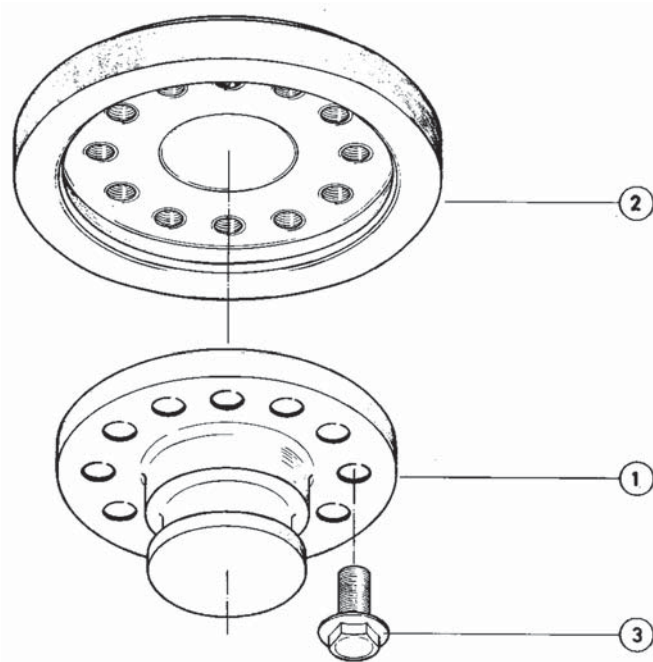


Fig.	Description	Part No.
1	King pin	KZ 2816-01
2	Retention plate	KZ 1416-02
3	Self-securing bolt	KZE 1416-06
2/3	Retention plate compl. with bolts	KZ 1416-04